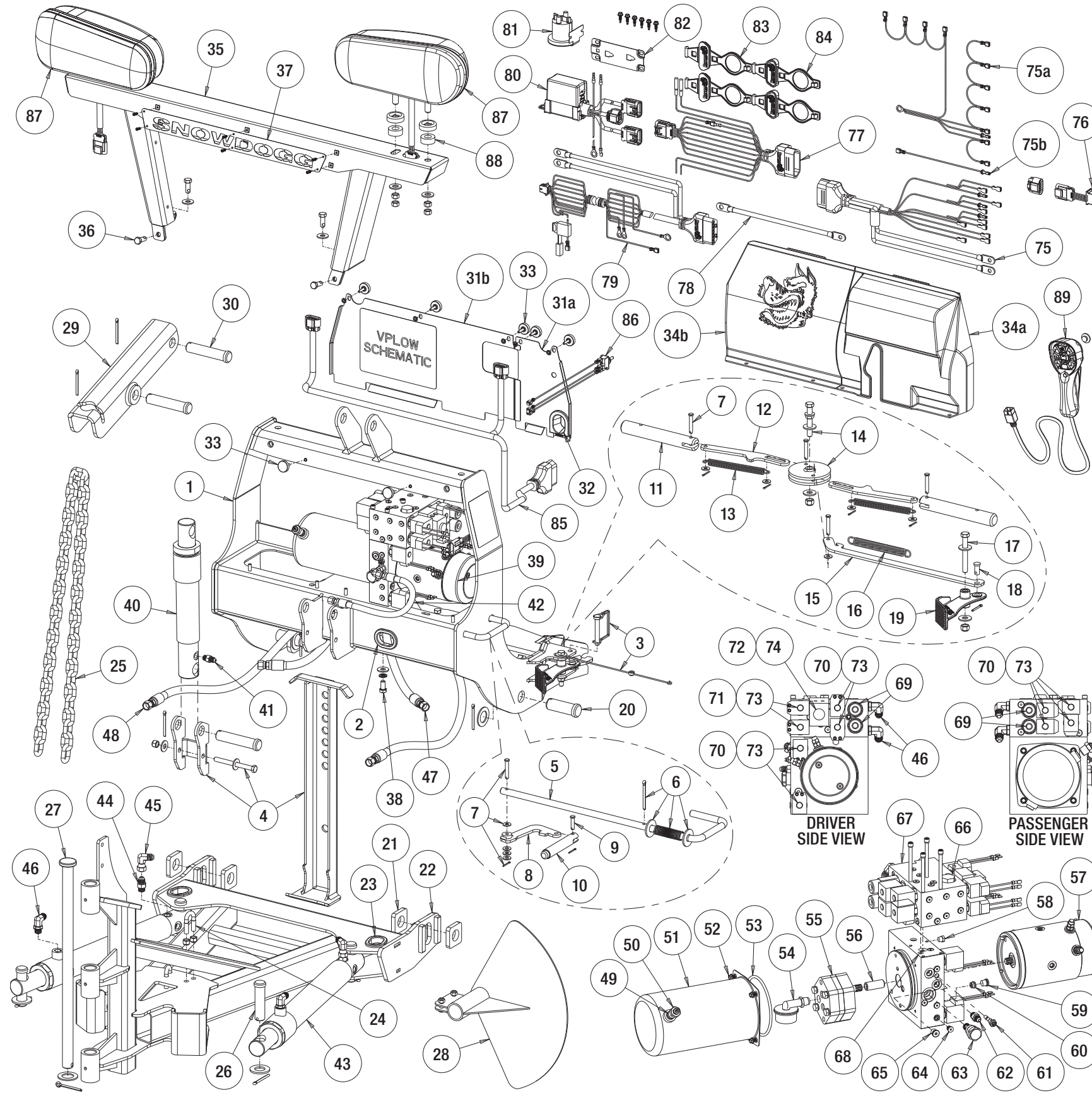


# VMDII SERIES REPLACEMENT PARTS



## LIFT FRAME

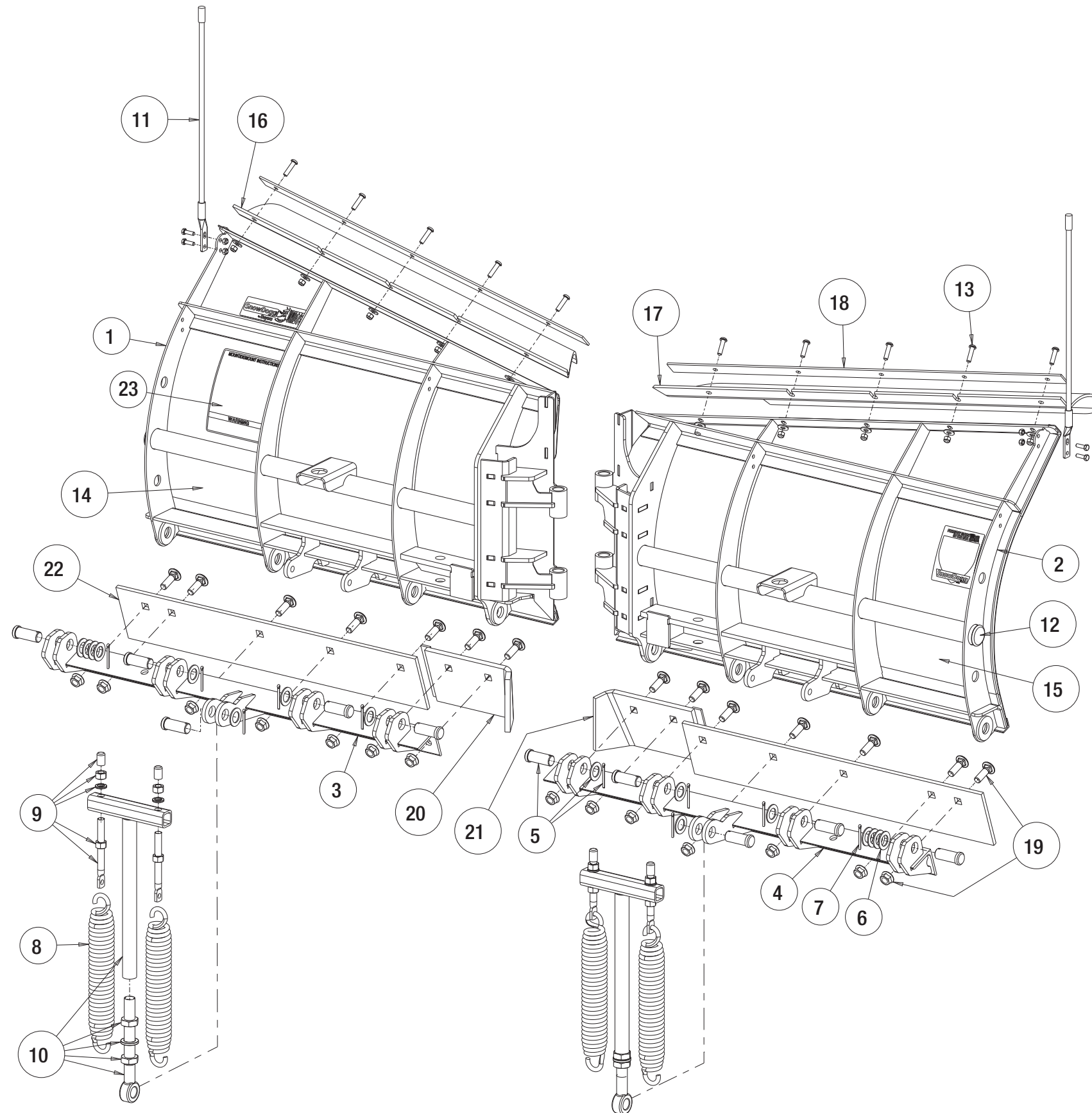


ITEM	QTY.	PART NO.	DESCRIPTION
		16014004	VMD2 Lift Frame Assembly
ACC		16150010	Hydraulic Fluid, Low Temp, 1 CASE (12 QTS)
1	1	16110106	Lift Frame Assembly, MD2/VMD2
		16111616	Lift Frame, MD2/VMD2
2	1	16152142	Grommet, 1-3/4in Hole, .125in Thick
3	1	16111124	Snapper Pin, 2-1/2in with Lanyard
4	1	16111342	Drop Foot Kit, MD2
5	1	16111176	Handle, Drop Foot
6	1	16111174	Spring, Drop Foot with Hardware
7	5	16111126	Clevis Pin Kit, 1/4in x 1-1/2in
		16101244	Cotter Pin, Locking, 1/4in
8	1	16111178	Linkage, Drop Foot
9	1	16111166	Clevis Pin Kit, 1/4in x 1in
		16101244	Cotter Pin, Locking, 1/4in
10	1	16111180	Pin, Drop Foot
11	2	16112102	Lock Pin, MD
12	2	16111136	Linkage, Lock Pin, MD2
13	2	16111170	Spring, Retract, Rapidlink
14	1	16111138	Linkage, Center, MD2
15	1	16111134	Linkage, Pedal, MD2
16	1	16111172	Spring, Extend, Rapidlink
17	1	16111132	Screw Kit, Pedal Pivot
18	1	16111146	Clevis Pin Kit, Pedal Linkage
		16101246	Cotter Pin, Locking, 3/8in
19	1	16111113	Foot Pedal, Cast
20	2	16111156	Clevis Pin Kit, A-Frame to Lift Frame
		16101252	Cotter Pin, Locking, 1in
21	1	16111162	Float Plate Kit (Set of 4)
22	1	16113222	A-Frame, VMD2
23	2	16152146	Grommet, 1-3/4in Hole, .250in Thick
24	2	16103020	U-bolt Kit
25	1	16103010	Chain, 5/16in Grade 43, 48 Links
26	4	16102142	Clevis Pin Kit, 7/8in x 3-1/4in
		16101250	Cotter Pin, Locking, 7/8in
27	1	16101170	Hinge Pin Kit, VXF/VMD
28	1	16113262	Hinge Cover Kit, VMD
29	1	16112410	Chain Lift, VMD2
30	3	16102122	Clevis Pin Kit, 7/8in x 4in
		16101250	Cotter Pin, Locking, 7/8in
31a	1	16152132A	Rear Panel, HPU DS
31b	1	16152134	Rear Panel, HPU PS Vee
32	1	16160420	Harness Grommet
33	7	16152126	Panel Thumb Screw Kit
34a	1	16152138	Enclosure, HPU DS
34b	1	16152140	Enclosure, HPU PS
35	1	16111638	Light Bar, MD2
36	1	16111520	Light Bar Fastener Kit
37	1	16111636	Logo Plate with Hardware
38	1	16111130	Mount Kit, HPU
39	1	16152000B	HPU, Vee
		16154220	Cylinder, Lift, 1-1/2in x 6in
40	1	16154212	Cylinder Packing Kit, 1-1/2in with Wiper Seal
		16154214	Cylinder Gland Nut, 1-1/2in with Wiper Seal
41	1	16151325	Connector, -4 SAEM/JICM
42	1	16153100	Hose, 1/4in x 18in, -4 JIC
43	2	16154300B	Cylinder, 1-1/2in x 1-3/4in x 12in
		16154302	Seal Kit, 16154300
44	2	16151324	Connector, -6 JICM/SAEM
45	2	16151322	Elbow, -6 JICM/JIC Swivel
46	6	16152346	Elbow, -6 JICM/SAEM
47	2	16153122	Hose, 3/8in x 26in, -6 JIC
48	2	16153124	Hose, 3/8in x 45in, -6 JIC
49	1	16151112	Plug, 3/8in NPT
50	1	16151116	Relief Plug, Reservoir, 12 PSI
51	1	16151110	Reservoir Kit
52	1	16151114	Reservoir Fastener Kit (4 Screws & 8 Washers)
53	1	16159114	Reservoir Seal Kit
54	1	16151102	Inlet Strainer with Elbow
55	1	16151100	Gear Pump
56	1	16159116	Shaft Seal
57	1	16152004	Spline Coupler, Vee
58	1	16151200	Motor, 2HP
59	1	16151326	Vent
60	1	16152332	Plug, 1/4 BSPP
		16151308	Lift Check Valve
61	1	16900010	Lift Check Valve Removal Tool
62	1	16151310	Lowering Speed Valve
63	1	16151325	Connector, -4 SAEM/JICM
64	1	16151302	Main Relief Valve
65	33	16152016	Plug, -2 SAE
		16152018	Plug, -4 SAE
66	4	16152330	Check Valve
67	1	16152040	Top Block Assembly, VMD/VXF
		16152042	Top Block, No Valves, VMD/VXF
68	1	16152104	Top Block O-Ring/Fastener Kit
69	4	16152334	Angle Relief Valve, 3000 PSI
		16151312	Solenoid Valve, 2-way, Normally Closed
70	8	16159102	Seal Kit, 16151312/16151330
		16159103	Screen, 16151312
71	2	16151330	Solenoid Valve, 2-way, Normally Open
		16159102	Seal Kit, 16151312/16151330
72	1	16152340	Solenoid Valve, 2-way, Normally Closed Bidirectional
		16159109	Seal Kit, 16152340
73	10	16152336	Coil, 8 Size, Flying Leads
74	1	16152342	Coil, 10 Size, Dual Spade
		16161400B	Plow Harness
75	1	16160402	Large Spring Cage Kit (Set of 2)
		16160405	Small Spring Cage Kit (Set of 20)
75a	1	16161420B	Ground Harness, 16161400B
75b	1	16161430	S8 Harness, 16161400B
76	1	16160448	Relay Module
		16160104	Grill to Relay Harness
77	1	16160405	Small Spring Cage (Set of 20)
78	1	16160500	Battery Cable
79	1	16160302	Truckside Control Harness, G2
		16160310	Repair End, 16160300
		16160102	Main Relay Harness
80	6	16160114	Headlight Module Relay
		16160112	Repair End, 8 Pin, 16160100
81	1	16160410	Motor Relay
82	1	16160116	Relay Module Mounting Plate
83	2	16160513	Harness Plug/Retainer
84	2	16160511	Harness Cap/Retainer
85	1	16160250	Plowside Light Harness, G2
86	1	16160450	Jack Switch
		16160800	SnowDogg® Illuminator LED Plow Lights
		16160810	Light, Driver Side, 16160800
		16160820	Light, Passenger Side, 16160800
		16160842	Module, Heater, 16160800
		16160844	Bulb, Heater Module, 16160800
		16160700A	SnowDogg® HX High Intensity Halogen Lights
		16160710A	Light, DS (Part of 16160700A) 19+
87	1	16160712A	Housing, DS Halogen Light
		16160720A	Light, PS (Part of 16160700A) 19+
		16160722A	Housing, PS Halogen Light
		16160732	Halogen Light Housing Gasket
		16160734	Halogen Light Harness, Internal
		16160736	Harness Clamp with HDW, 16160700A
		16160740	Bulb, H1 High Beam
		16160742A	Bulb, H7 Low Beam, Night Breaker
		16160744	Bulb, Park/Turn, Amber
88	2	16160830	LED Light Mounting Hardware Kit (1 Light)
		16160730B	Halogen Light Mounting Hardware Kit (1 Light)
		16161601B	Controller, Vee Blade G2
		16160622	Mount Kit, 1616*601
89	1	16161632	Keypad, 16161601
		16161642B	Circuit Board, 16161601
		16160652	Harness, 1616*601

# VMDII SERIES

## REPLACEMENT PARTS

### MOLDBOARD



ITEM	QTY.	PART NO.	DESCRIPTION
		16020712	VMD75-2 Moldboard
ACC	1	16021750	Shoe Kit, VXF/VMD
ACC	2	16121700	Shoe Assy Only
ACC	2	16121704	Shoe Bracket
1	1	16122220	Frame, Moldboard, DS, VMD75
	1	16123002	VMD2 Moldboard, DS Only
2	1	16122222	Frame, Moldboard, PS, VMD75
	1	16123004	VMD2 Moldboard, PS Only
3	1	16122224	Trip Angle, DS, VMD75
4	1	16122226	Trip Angle, PS, VMD75
5	10	16102144	Clevis Pin Kit, 1in x 2-3/8in
6	16	16102104	Washer, 1in
7	10	16102102	Cotter Pin, 3/16in x 2x
8	4	16101200	Trip Spring
9	1	16101210	Spring Mount Eye Bolt Kit (Set of 4)
10	2	16120190	Trip Spring T-Bar Kit
11	1	16122100	Blade Guide Kit
12	2	16120120	Crosstube Cap
13	1	16120110	Moldboard Skin Hardware Kit
14	1	16121710	Skin, DS, VMD75, SST
15	1	16121712	Skin, PS, VMD75, SST
16	1	16120167	Deflector, DS, VMD75, Poly
17	1	16120168	Deflector, PS, VMD75, Poly
18	2	16120268	Clamp Strip, VMD75
19	1	16120114	Cutting Edge Hdw Kit, 5/8in-11 (Set of 14)
20	1	16120840	Center Cutting Edge, DS
21	1	16120850	Center Cutting Edge, PS
22	2	16120810	Cutting Edge, 34in x 3/8in
	2	16120811	Cutting Edge, 34in x 1/2in
23	1	16121404	VMD2 Moldboard Decal Kit (Front and Rear)